

NEW!

BIOPTECHS

Stable "Z" Specimen Warmer

NEW!

Introducing the Bioptechs Stable "Z" Specimen Warming System

Not everyone needs the sophistication of a high-end Delta T Dish System, or the expense that comes with it. Therefore, Bioptechs has developed a very competitively priced specimen warming system that accommodates any brand of 35mm dish and provides superior thermal control with the exclusive feature of "Z" axis stability for time-lapse applications. Examine the construction of the Stable "Z" and see for yourself how "stage warmers" should have been made from the beginning! If you need a specimen warmer or if you are still using a traditional "heated metal plate" to warm your specimen, contact Bioptechs for a demo of this new technology!

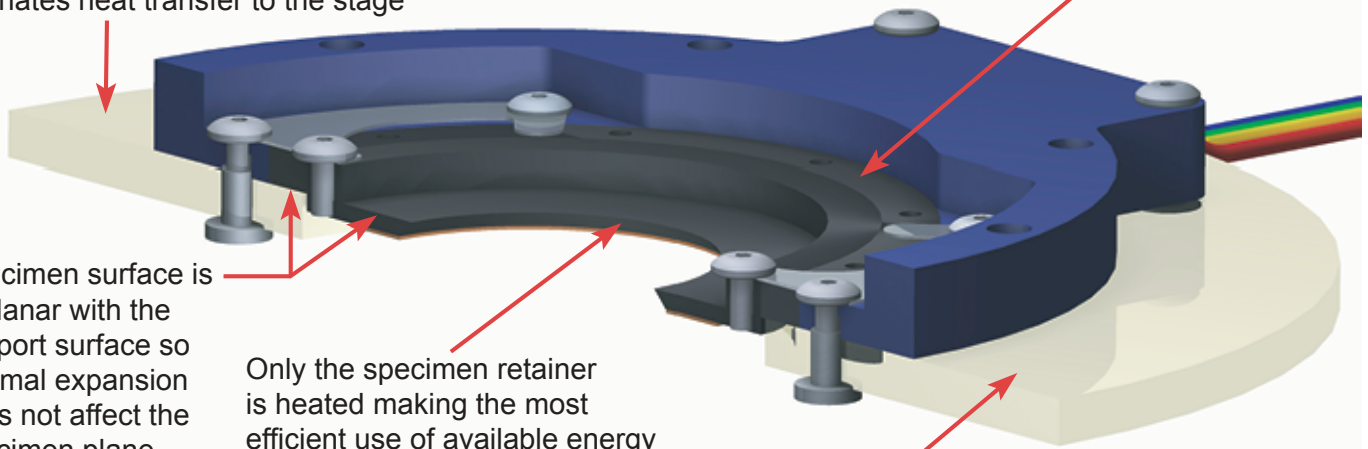
Adapter plate has a low thermal conductivity and near zero thermal expansion. This nearly eliminates heat transfer to the stage

Thermal expansion adjustment ring compensates for dish height

Specimen surface is coplanar with the support surface so thermal expansion does not affect the specimen plane

Only the specimen retainer is heated making the most efficient use of available energy

Ceramic support surface



- Stage Geometry to Fit All Popular Microscopes
- Adjustable Compensation for Variations in Plastic Ware
- Small Footprint Controller; Easily Mounted on Scope
- Powered by 12 V AC Adapter or 12V Battery
- Can Accept Any Brand 35mm Dish

- Ambient to 50°C
- Only 4 Watts
- Includes Reference Sensor
- CE, UL, CSA, Certified
- Electrically Quiet

