

## Delta T Media Depth Reducer

The Media Depth Reducer allows for the reduction of media volume above cells adherent to the coverslip bottom of a Delta T Dish. Reducing this volume may be desirable when, for instance, background fluorescence is a problem, or when the cost of a reagent dictates the use of small volumes.

The Media Depth Reducer is composed of a 1mm thick coverglass window mounted in an externally threaded Radel insert, which in turn mates to an internally threaded metal mounting ring. The height of the coverglass window relative to the coverglass bottom is continuously adjustable by rotating the black Radel insert.

### Instructions:

1. Place the Media Depth Reducer onto the Delta T Dish.
2. Depending on the amount of media you are looking to displace adjust the height of the stainless steel insert in the Z-axis. Loosen the outer top knurled ring of the adapter then adjust the lower ring to the desired height. Then to lock the Z-axis position re tighten the top ring to the bottom ring.

If perfusion is required, attach 1/16" tubing to the stainless steel perfusion tubes. The perfusion tubes are friction fitted and can be adjusted by gently twisting them while forcing them to the desired depth. See below for perfusion specifications.

### Sterilization:

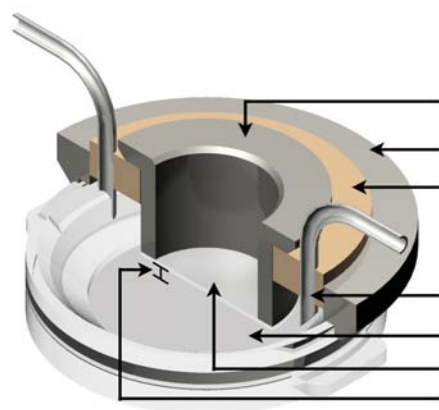
The Media Depth Reducer can be wiped with 70% alcohol or autoclaved at 125°C for 15 minutes. It is suggested to completely disassemble the reducer before autoclaving by removing the outer knurled rings from the black insert, and removing the stainless steel sleeve with glass (do not remove glass from sleeve) from the black insert.

### Note:

If your experiment requires special characteristics other than those provided with the Artificial Membrane Insert Adapter, please contact Bioptechs for modifications or specialty services. Bioptechs appreciates feedback from our customers so we may continue to improve our products. Please inform us as to how you are performing your experiments and how we may better serve your needs. Thank you for your interest in our products.

### Continual Perfusion of the Media Depth Reducer

Bioptechs provides a Delta T Micro-Perfusion Pump that conveniently enables the Delta T™ Dish to be automatically perfused without the worry of overflowing. Visit <http://www.bioptechs.com/Products/MPP/mpp.html> for detailed information.



Stainless Steel Insert  
Stainless Steel Adjustment Ring  
Adjustable Media Depth Reducer Insert

Optional 14 ga Perfusion Tubes  
Delta T Coverglass Bottom Dish  
Optical Glass Surface (1mm thick)  
Depth Adjustable by Rotation of Adjustment Ring